

Stauff Filter Carts



Stauff manufactures a very complete range of filtration carts. Compact in design and easy to operate, these carts are essential tools to transfer new oil, or to be used in an off line filter system in support of the standard in line filtration systems.

Stauff Portable Filter Cart (SPFC)

[Product Description & Technical Data](#)

[Dimensions & Ordering Code](#)

Stauff Compact Filter Cart (SCFC)

[Product Description & Technical Data](#)

[Dimensions & Ordering Code](#)





FILTRATION TECHNOLOGY

2003

STAUFF



Filter Carts SPFC & SCFC

Quality and Service
Worldwide

**Australia**

Stauff Corporation (Pty.) Ltd.
P.O.Box 227 , 24-26 Doyle Avenue,
Unanderra Wollongong , N.S.W
2526 AUSTRALIA
Tel: +61 2 42 71 18 77
Fax: +61 2 42 71 84 32

Brazil

Stauff Brasil Ltda.
Av. Gupê 10767
Galpão 2 – Bloco A
Barueri – São Paulo – CEP 06422-120, BRAZIL
Tel: +55 (0)11-4789-9020
Fax: +55 (0)11-4789-9021

Canada

Stauff Canada Ltd.
866 Milner Avenue
Scarborough , Ontário M1B 5N7 , CANADA
Tel: +1 416 282 46 08
Fax: +1 416 282 30 39

China

Stauff International Trading (Shanghai) Co., Ltd.
Shangdian Mansion, Pudong
331 , Binzhou Road
200126 Shanghai, CHINA
Tel: +86 21 58 45 65 60
Fax: +86 21 58 45 66 80

France

Stauff S.A.
Z.I. de Vineuil-Blois Sud
230, Avenue du Grain d'Or
41354 Vineuil-cedex, FRANCE
Tel: +33 2 54 50 55 50
Fax: +33 2 54 42 29 19

India

Stauff India Pvt. Ltd.
Gat. No. 2340,
Pune-Nagar Road, Wagholi, INDIA
IND-Pune - 412027
Tel: +91 20 705 19 90
Fax: +91 20 705 19 89

Italy

Stauff Italia S.R.L.
Via Pola 21/23, I-20034
Birone di Giussano, ITALY
Tel: +39 0362 31 21 13
Fax: +39 0362 33 55 36

New Zealand

Stauff Corporation (NZ) Ltd.
Unit J. 150 Harris Road, P.O. Box 58517
Greenmount Auckland-NEW ZEALAND
Tel: +64 9 271 4812
Fax: +64 9 271 4832

United Kingdom

Stauff UK Ltd.
332, Coleford Road Darnall
Sheffield, S 9 5 P H, ENGLAND
Tel: +44 1142 518 518
Fax: +44 1142 518 519

USA

Stauff Corporation
7 Wm. Demarest Place
Waldwick, NJ – 07463, USA
Tel: +1 201 444 78 00
Fax: +1 201 444 78 52

**Distributors and warehouses
in all industrial countries.**

Walter Stauffenberg GmbH & Co. KG

P. O. Box 1745 · D-58777 Werdohl
Im Ehrenfeld 4 · D-58791 Werdohl
Tel.: +49 (0) 23 92 9 16-0
Fax: +49 (0) 23 92 25 05
E-mail: sales@stauff.com
Internet: http://www.stauff.com

Stauff Filtration Technology

Stauff Filtration Technology offers a complete range of filtration products and services that will provide the system designer or user with the highest level of contamination control demanded by today's most sophisticated applications. Products include pressure filters, return line filters, elements, spin on filters suction strainers, and filler breathers for various hydraulic, lubrication and fuel oils.

Stauff has the technical expertise to provide superior filter element designs for the Stauff original filter housings and also for the interchange element market. Stauff manufactures more than 10,000 different elements. Many of these are designed to fit into filter housings produced by other companies while maintaining or surpassing the original performance.

The "Stauff Contamination Control Program" includes the diagnostic services including fluid sampling and laser particle counting products needed to monitor the system contamination level.

Stauff, through its global network of wholly owned companies and technically qualified distributors, is ideally placed to assist its customers in the total contamination process providing a well balanced filtration solution.

Stauff Portable Filter Cart (SPFC)

Product description & Technical Data
Dimensions & Ordering Code

Page

3
4

Stauff Compact Filter Cart (SCFC)

Product description & Technical Data
Dimensions & Ordering Code

Page

5
6

Technical Data

The Stauff Portable Filter Cart (SPFC) is a very complete and practical unit capable of off-line filtration, filling or emptying reservoirs (if needed via 125µm suction filter) or any application requiring the transfer or filtration of hydraulic oils. Multi stage filtration can be applied to extend element lifetime. The SPFC is available with a variety of Spin-on elements for quick and easy element replacement as well with various pump/motor options. All components are mounted together on a sturdy frame guaranteeing a long lifetime.



Note: For special applications (fluids, temperature or other aspects) please contact your local Stauff contact.

Technical Specification

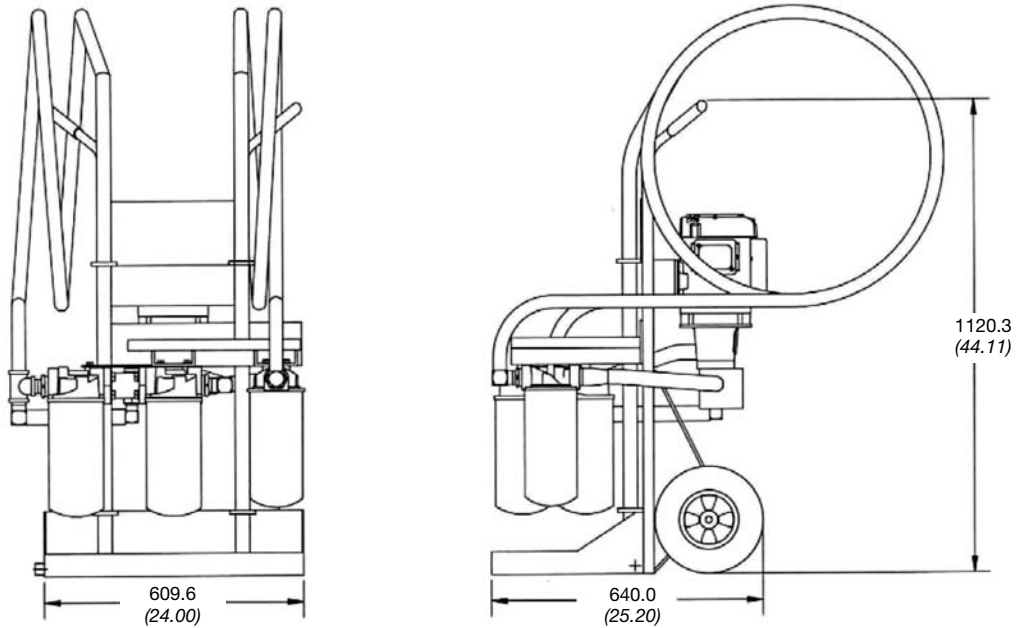
- 38 l/min (10 US GPM) Gear Pump
- Electric Motor single phase or three phase 3/4 HP
- On/Off Button with 3m (10ft) Power cord
- Heavy Duty Welded Frame with Drip Pan and Tool Tray
- Suction Strainer - 100 Mesh Spin on
- 3m (10ft) Spiral Reinforced PVC Hoses with Wands
- 3-Way Ball Valve to By-pass Filters

- Weight: 86 Kg (190 lbs.)

Options

- Single or Dual Stage Filtration
- 3, 6, 12 or 25µm βx= 200 Elements
- Water Absorption Elements

Dimensions



Dimensions in mm (inch)

Ordering Code

SPFC 10 2 B V B XX

SPFC STAUFF
Portable Filter Cart

Pump Type	
10	38 l/min (10 US GPM) Gear Pump

Stages	
1	1 Stage
2	2 Stages

Stage 1 Filter Element	
0000	Without Filter Element
6704	Synthetic 3 µm β200
6707	Synthetic 6 µm β200
6731	Synthetic 12 µm β200
6726	Synthetic 25 µm β200
6721	Paper 10 µm
6711	Paper 25 µm
6721-W	Water absorbing 10 µm
6791	Stainless steel wire mesh 125 µm

Special Configurations

Electric Motor Voltage	
A	220 VAC@60Hz - Three Phases
B	110 VAC@50Hz - Single Phase
C	110 VAC@60Hz - Single Phase
D	230 VAC@50Hz - Single Phase
E	230 VAC@60Hz - Single Phase
F	400 VAC@50Hz - Three Phases
G	400 VAC@60Hz - Three Phases
H	440 VAC@50Hz - Three Phases
I	440 VAC@60Hz - Three Phases
X	Special Voltages on request

Contamination Indicator	
O	without indicator
V	visual indicator

Seal material	
B	NBR (Buna®)
V	FPM (Viton®)

Stage 2 Filter Element	
0000	Without Filter Element
6704	Synthetic 3 µm β200
6707	Synthetic 6 µm β200
6731	Synthetic 12 µm β200
6726	Synthetic 25 µm β200
6721	Paper 10 µm
6711	Paper 25 µm
6721-W	Water absorbing 10 µm
6791	Stainless steel wire mesh 125 µm

Technical Data

The Stauff Compact Filter Cart (SCFC) is a very compact, light and handy filter cart, offering excellent service for maintenance departments. The carts assembled with a single or double Spin-on head allowing the use of various elements from 3µm absolute to 125µm wire mesh. The SCFC can be used for off line filtration or as a transfer unit. The SCFC comes standard with upstream and downstream sample points that can either be used for on-line particle monitoring or fluid sampling.



Note: For special applications (fluids, temperature or other aspects) please contact your local Stauff contact.

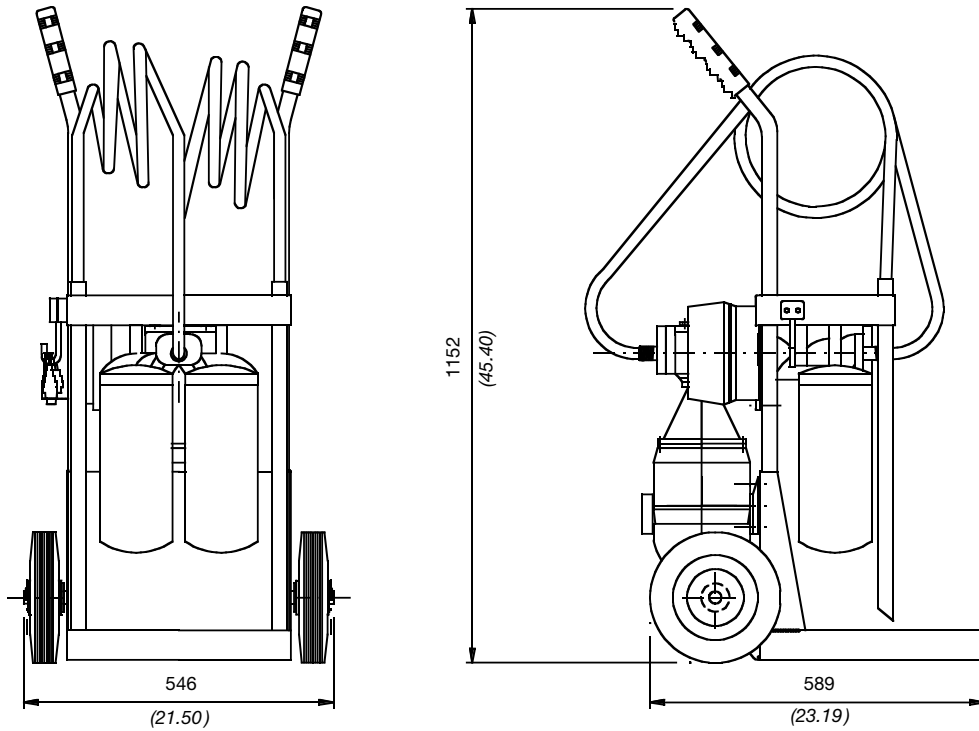
Technical Specification

- Flow 19 l/min (5 GPM) up to 38 l/min (10 US GPM)
- Electric Motor single phase or three phase 3/4 HP
- Thermal Overload Relays
- Welded frame with tool tray epoxy coated
- Compact Suction Strainer
- Special flexible hoses reinforced with internal spiral, length 3m (10 ft)
- Filter head with by-pass valve integrated
- Visual clogging indicator
- Weight: 53 Kg (117 lbs.)

Options

- Gear pump or Vane pump
- Electric Motor Standard: IEC or CSA/NEMA
- Filter Elements: 10 or 25µm (in paper), 3,6, 12 or 25µm β200 (Inorganic Glass Fiber) or 125µm (Stainless wire mesh)
- Water Absorbing filter elements

Dimensions



Dimensions in mm (inch)

Ordering Code

SCFC 10 G D 6731 B V C X X

SCFC STAUFF
Compact Filter Cart

Special Configurations

Flow	
10	38 l/min (10 US GPM)
05	19 l/min (05 US GPM)

Electric Motor Voltage	
A	220 VAC@60Hz - Three Phases
B	110 VAC@50Hz - Single Phase
C	110 VAC@60Hz - Single Phase
D	230 VAC@50Hz - Single Phase
E	230 VAC@60Hz - Single Phase
F	400 VAC@50Hz - Three Phases
G	400 VAC@60Hz - Three Phases
H	440 VAC@50Hz - Three Phases
I	440 VAC@60Hz - Three Phases
X	Special Voltages on request

Pump Type	
G	Gear Pump
V	Vane Pump

Filter Head	
D	Double Head
S	Single Head

Contamination Indicator	
O	without indicator
V	visual indicator

Filter Element	
0000	Without Filter Element
6704	Synthetic 3 µm B200
6707	Synthetic 6 µm B200
6731	Synthetic 12 µm B200
6726	Synthetic 25 µm B200
6721	Paper 10 µm
6711	Paper 25 µm
6721-W	Water absorbing 10 µm
6791	Stainless steel wire mesh 125 µm

Seal material	
B	NBR (Buna®)
V	FPM (Viton®)
E	EPDM