

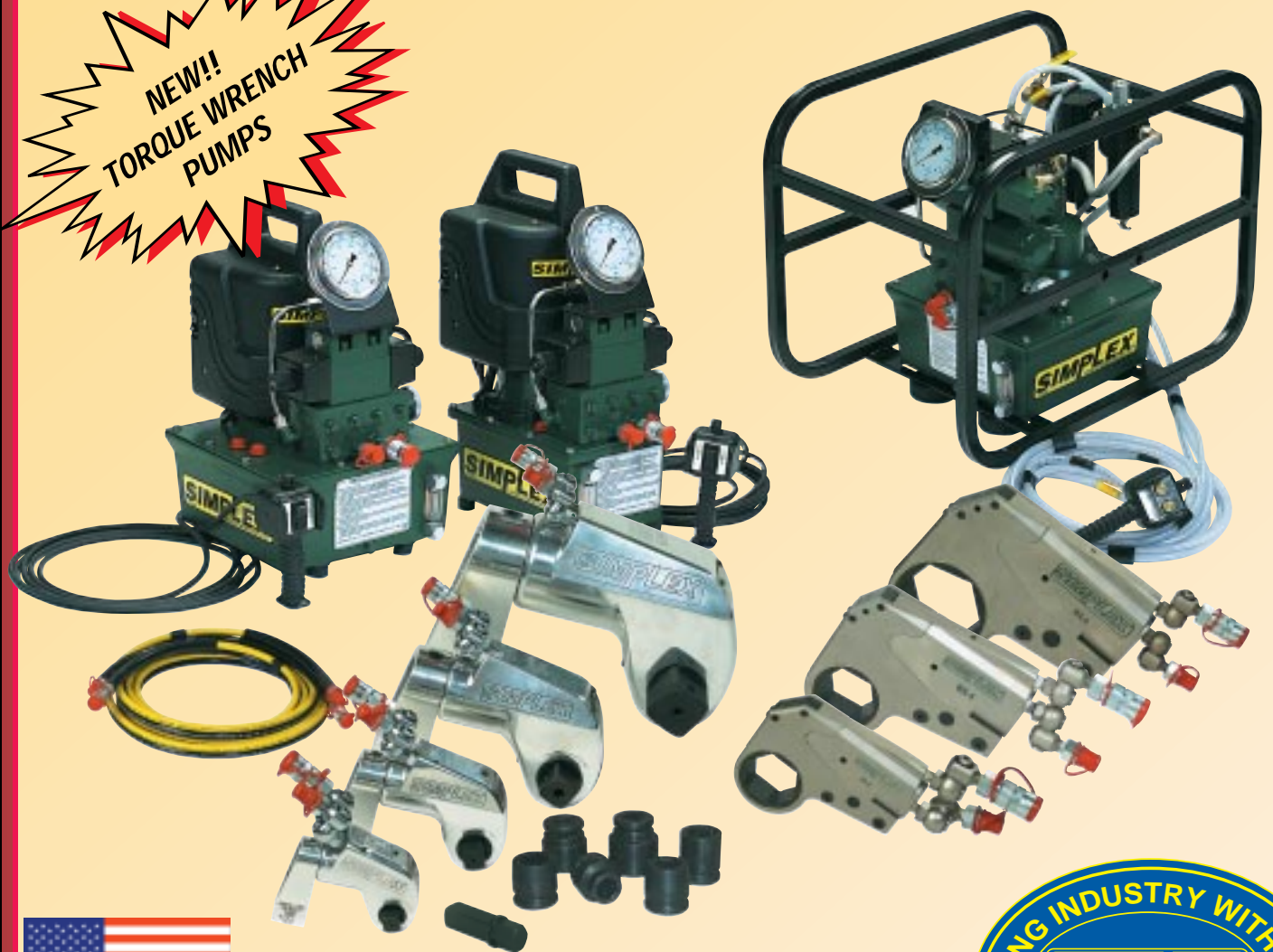
# SIMPLEX<sup>®</sup>

A Division Of Templeton, Kenly & Co., Inc.

QUALITY FROM THE GREEN TEAM !!

## ALL NEW POW'R-TORQUE WRENCHES

NEW!!  
TORQUE WRENCH  
PUMPS



MADE IN THE USA



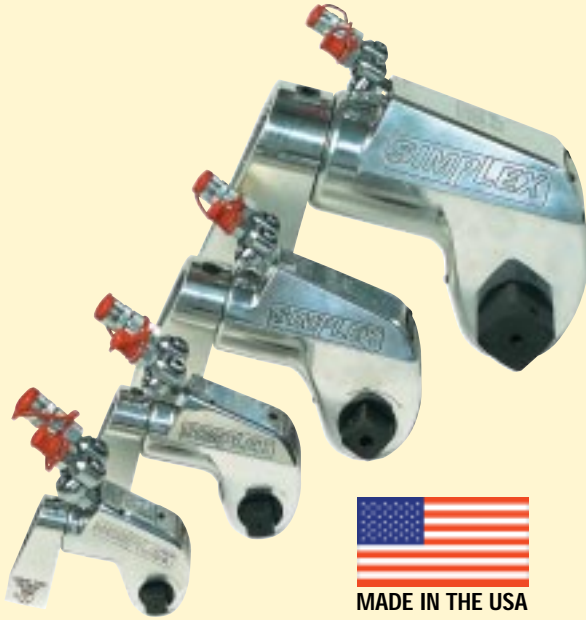
For more information and FREE Catalog Contact:



Phone: (800) 323-9114 or Fax: (708) 865-0894

[www.tksimplex.com](http://www.tksimplex.com)

HYDRAULIC & MECHANICAL POWER



- Alloy square drive **GUARANTEED** not to break.
- No reaction pawl, **ELIMINATES** tool lockup.
- 27° Stroke for high performance and speed.
- Replaceable torque chart & safety information engraved on the tool.
- Push through square drive switches from loosen to tighten instantly.
- Light weight, high torque ratio.
- Compact Uni-Body design for maximum strength.
- Accurate to within  $\pm 3\%$ .
- Slim nose radius for easy positioning in close quarters.
- No leak couplers that swivel on double axis for easy operation.
- Custom wrenches available upon request.
- Special reaction arms and reaction arm extensions available.
- Internal retraction arm spline allows operator to react against the tool body without risk of damage.



When roller coasters at a popular theme park needed maintenance, park engineers called on Simplex for solutions. Assembly of a critical drive shaft required precision torquing and minimal down time. Simplex power units and square drive wrenches filled the park's needs, saving significant cost and down time.

### Optional Wrench Handle

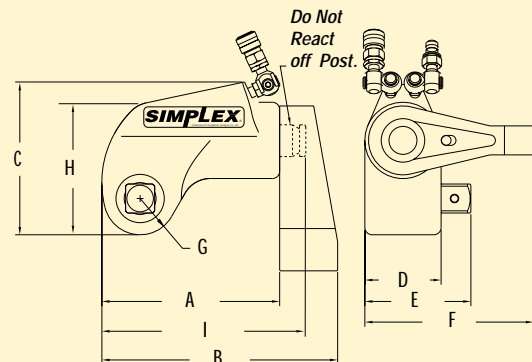
Optional handles are available for the WT-5, WT-10 & WT-27. The handle can be screwed on either side of the wrench or on top of the wrench.



Order #: WCH-1



Rail car shock mount bolts require fast & accurate torquing for change out & maintenance. This rail car maintenance shop relies on Simplex torque wrench to quickly & easily torque bolts to demanding railroad specifications. "The compact size fits where other wrenches would not & provides more than enough power to do the job right."



### SQUARE DRIVE WRENCH SPECIFICATIONS

Model Number	A Length (in.)	B Length (in.)	C Height (in.)	D Width (in.)	E Width (in.)	F Width (in.)	G Radius (in.)	H Height (in.)	I Length (in.)	Wgt. (lbs.)	Output (ft./lbs.)	Square Drive (in.)	Available Socket Size (in.)	Available Socket Size (mm)
WT-2	4.68	6.10	4.20	2.00	2.76	4.42	0.98	3.42	5.32	3.90	1,270	3/4	1/2 - 2 3/8	13 - 60
WT-3	6.10	8.10	5.30	2.62	3.68	5.81	1.30	4.54	6.68	9.00	3,330	1	3/4 - 4 1/2	19 - 114
WT-5	8.00	10.74	6.99	3.61	5.06	7.98	1.70	6.05	9.48	19.00	7,170	1 1/2	1 5/16 - 5 3/8	33 - 137
WT-10	9.21	12.21	7.79	3.93	5.43	8.72	1.95	6.70	10.36	29.00	11,010	2 1/2	1 5/8 - 9 1/4	41 - 235
WT-27	12.29	16.29	10.19	5.26	7.73	11.63	2.43	8.82	13.87	70.00	27,200	2 1/2	1 5/8 - 9 1/4	41 - 235



## SOCKETS FOR 3/4", 1" & 1 1/2" DRIVE WRENCHES

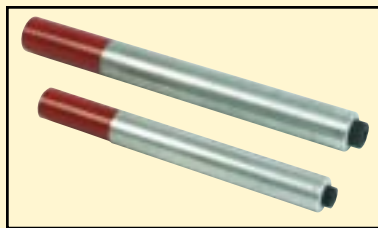
Model Number for 3/4" Drive WT-2 Wrench	Socket Size (in.)	Model Number for 1" Drive WT-3 Wrench	Socket Size (in.)	Model Number for 1" Drive WT-3 Wrench	Socket Size (in.)	Model Number for 1" Drive WT-3 Wrench	Socket Size (in.)	Model Number for 1 1/2" Drive WT-5 & 10 Wrench	Socket Size (in.)	Model Number for 1 1/2" Drive WT-5 & 10 Wrench	Socket Size (in.)
WST1212	3/4 x 3/4	WST1612	1 x 3/4	WST1633	1 x 2 1/16	WST1654	1 x 3 3/8	WST2422	1 1/2 x 1 3/8	WST2443	1 1/2 x 2 11/16
WST1213	3/4 x 13/16	WST1613	1 x 13/16	WST1634	1 x 2 1/8	WST1655	1 x 3 7/16	WST2423	1 1/2 x 1 7/16	WST2444	1 1/2 x 2 3/4
WST1214	3/4 x 7/8	WST1614	1 x 7/8	WST1635	1 x 2 3/16	WST1656	1 x 3 1/2	WST2424	1 1/2 x 1 1/2	WST2445	1 1/2 x 2 13/16
WST1215	3/4 x 15/16	WST1615	1 x 15/16	WST1636	1 x 2 1/4	WST1657	1 x 3 9/16	WST2425	1 1/2 x 1 9/16	WST2446	1 1/2 x 2 7/8
WST1216	3/4 x 1	WST1616	1 x 1	WST1637	1 x 2 5/16	WST1658	1 x 3 5/8	WST2426	1 1/2 x 1 5/8	WST2447	1 1/2 x 2 15/16
WST1217	3/4 x 1 1/16	WST1617	1 x 1 1/16	WST1638	1 x 2 3/8	WST1659	1 x 3 11/16	WST2427	1 1/2 x 1 11/16	WST2448	1 1/2 x 3
WST1218	3/4 x 1 1/8	WST1618	1 x 1 1/8	WST1639	1 x 2 7/16	WST1660	1 x 3 3/4	WST2428	1 1/2 x 1 3/4	WST2449	1 1/2 x 3 1/16
WST1219	3/4 x 1 3/16	WST1619	1 x 1 3/16	WST1640	1 x 2 1/2	WST1661	1 x 3 13/16	WST2429	1 1/2 x 1 13/16	WST2450	1 1/2 x 3 1/8
WST1220	3/4 x 1 1/4	WST1620	1 x 1 1/4	WST1641	1 x 2 9/16	WST1662	1 x 3 7/8	WST2430	1 1/2 x 1 7/8	WST2451	1 1/2 x 3 3/16
WST1221	3/4 x 1 5/16	WST1621	1 x 1 5/16	WST1642	1 x 2 5/8			WST2431	1 1/2 x 1 15/16	WST2452	1 1/2 x 3 1/4
WST1222	3/4 x 1 3/8	WST1622	1 x 1 3/8	WST1643	1 x 2 11/16			WST2432	1 1/2 x 2	WST2453	1 1/2 x 3 5/16
WST1223	3/4 x 1 7/16	WST1623	1 x 1 7/16	WST1644	1 x 2 3/4			WST2433	1 1/2 x 2 1/16	WST2454	1 1/2 x 3 3/8
WST1224	3/4 x 1 1/2	WST1624	1 x 1 1/2	WST1645	1 x 2 13/16			WST2434	1 1/2 x 2 1/8	WST2455	1 1/2 x 3 7/16
WST1225	3/4 x 1 9/16	WST1625	1 x 1 9/16	WST1646	1 x 2 7/8			WST2435	1 1/2 x 2 3/16	WST2456	1 1/2 x 3 1/2
WST1226	3/4 x 1 5/8	WST1626	1 x 1 5/8	WST1647	1 x 2 15/16			WST2436	1 1/2 x 2 1/4	WST2457	1 1/2 x 3 9/16
WST1227	3/4 x 1 11/16	WST1627	1 x 1 11/16	WST1648	1 x 3			WST2437	1 1/2 x 2 5/16	WST2458	1 1/2 x 3 5/8
WST1228	3/4 x 1 3/4	WST1628	1 x 1 3/4	WST1649	1 x 3 1/16			WST2438	1 1/2 x 2 3/8	WST2459	1 1/2 x 3 11/16
WST1229	3/4 x 1 13/16	WST1629	1 x 1 13/16	WST1650	1 x 3 1/8			WST2439	1 1/2 x 2 7/16	WST2460	1 1/2 x 3 3/4
WST1230	3/4 x 1 7/8	WST1630	1 x 1 7/8	WST1651	1 x 3 3/16			WST2440	1 1/2 x 2 1/2		
WST1231	3/4 x 1 15/16	WST1631	1 x 1 15/16	WST1652	1 x 3 1/4			WST2441	1 1/2 x 2 9/16		
WST1232	3/4 x 2	WST1632	1 x 2	WST1653	1 x 3 5/16			WST2442	1 1/2 x 2 5/8		

Impact Rated 6 point sockets are available from Simplex.

To order specify both the square drive size and the socket size or determine the Simplex part number from the chart above.

## ALCO REACTION ARMS

Model Number	Length (in.)
WT2-ALCO	18.00
WT3-ALCO	22.25
WT5-ALCO	21.00
WT10-ALCO	23.50
WT27-ALCO	N/A



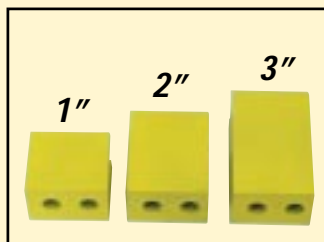
To order, specify both the type of WT-Series Wrench and the Allen head size. Additional Allen sizes are available in both imperial and metric sizes.

## ALLEN HEX DRIVES FOR WT-SERIES WRENCHES

Model Number	Wrench Model	Allen Hex Size (in.)	Maximum Torque (ft./lbs)
WA-1208	WT-2	1/2	395
WA-1210		5/8	740
WA-1212		3/4	1,270
WA-1214		7/8	1,270
WA-1216		1	1,270
WA-1610	WT-3	5/8	740
WA-1612		3/4	1,330
WA-1614		7/8	2,070
WA-1616		1	3,100
WA-1618		1 1/8	3,330
WA-1620	1 1/4	3,330	
WA-2414	WT-5	7/8	2,070
WA-2416		1	3,100
WA-2418		1 1/8	4,355
WA-2420		1 1/4	6,275
WA-2422		1 3/8	7,170
WA-2424	1 1/2	7,170	
WA-2420-10	WT-10	1 1/4	6,275
WA-2422-10		1 3/8	7,750
WA-2424-10		1 1/2	10,500
WA-2426-10		1 5/8	10,500
WA-2428-10		1 3/4	10,500
WA-4024	WT-27	1 1/2	10,500
WA-4026		1 5/8	13,280
WA-4028		1 3/4	16,230
WA-4030		1 7/8	27,200
WA-4032		2	27,200
WA-4036	2 1/4	27,200	

## 1", 2" & 3" REACTION ARM EXTENSIONS

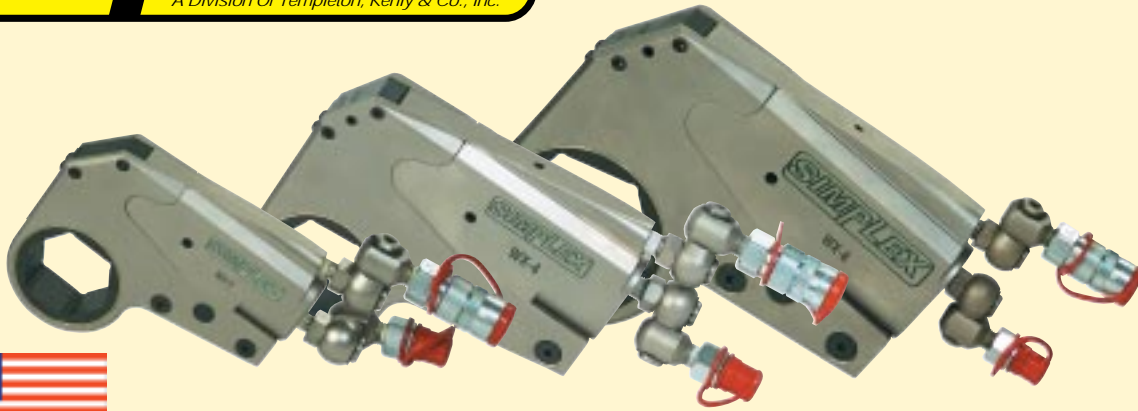
Model Number	Length (in.)
WT3-EX1	1
WT3-EX2	2
WT3-EX3	3
WT5-EX1	1
WT5-EX2	2
WT5-EX3	3
WT10-EX1	1
WT10-EX2	2
WT10-EX3	3



Allen Hex Drives Use The Standard Reaction Arm. No Additional Reaction Equipment Is Required.



# TORQUE WRENCHES



MADE IN THE USA

*“Simplex Low Clearance Torque Wrenches” are the lowest clearance, highest torque wrenches available. A patented, “flat” cylinder design allows Simplex drive units to fit in the tightest spaces when other wrenches cannot. Light weight construction allows easy carrying and positioning.*



In-line reaction and compact design allows quick and easy torquing in close quarters.

- Patented flat cylinder design for lower profile.
- Wide range of links in 1/16" increments.
- In-line reaction for maximum strength.
- Light weight, high torque ratio.
- Quick and easy interchangeable links requiring no tools.
- Accurate to within  $\pm 3\%$ .
- Slim nose radius for easy positioning in close quarters.
- No leak couplers that swivel on double axis for easy operation.
- Plated wrenches resist corrosion.
- Links in both imperial and metric measurements.
- Optional reducer inserts available in imperial and metric sizes.
- Custom wrenches available upon request.

### Optional Wrench Handle

Optional handles are available for the WX-8, WX-16 & WX-32. The handle can be screwed on either side of the wrench or on top of the wrench.

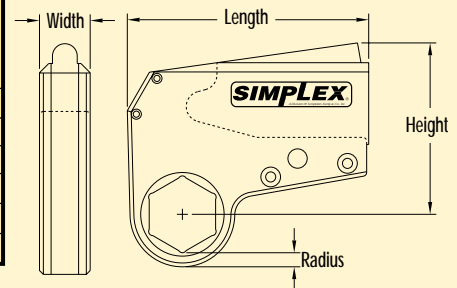


Order #: WCH-1

### LOW CLEARANCE DRIVE UNITS

Model Number	Length (in.)	Height (in.)	Radius (in.)	Max. Tool Width (in.)	Output (ft./lbs.)	*Weight (lbs.)
WX-2	5.67	4.00	0.36	1.25	1,930	3.5
WX-4	7.80	5.60	0.46	1.63	3,950	6
WX-8	9.80	7.00	0.54	2.05	8,630	11.7
WX-16	11.90	8.50	0.76	2.45	15,600	16
WX-32	15.30	10.90	0.93	3.24	31,600	34

Available Link Sizes (in./mm)	
From	To
3/4"/19mm	2 3/8"/60mm
1"/25mm	3 1/8"/80mm
1 7/8"/50mm	4"/90mm
2 5/8"/65mm	4 5/8"/115mm
3 1/8"/80mm	6 1/8"/155mm

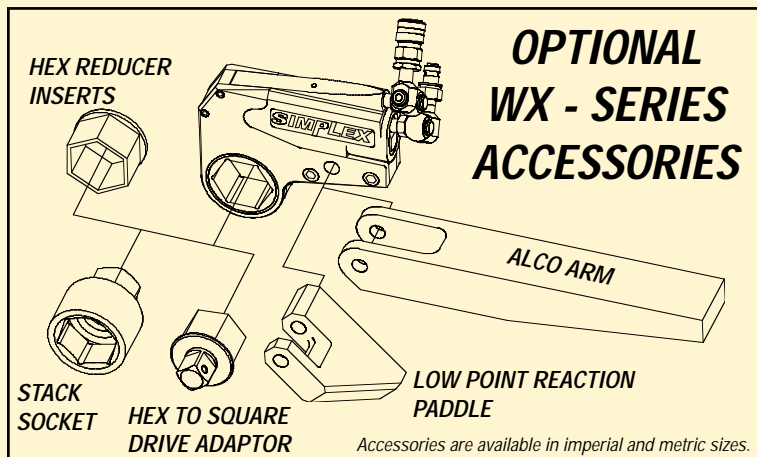


\*Weights are for Drive Units only. Weight on Links will vary by size.

## HOW TO BUILD YOUR LOW CLEARANCE WRENCH



1. Select a WX drive unit that will give you the amount of torque you are looking for.
2. Couple your WX drive unit with the WXL hex link that you will need. See chart below for specific WXL link.



## LINKS FOR LOW CLEARANCE WRENCHES

Model Number for WX-2 Links	Hex Size (in.)	Model Number for WX-4 Links	Hex Size (in.)	Model Number for WX-4 Links	Hex Size (in.)	Model Number for WX-8 Links	Hex Size (in.)	Model Number for WX-8 Links	Hex Size (in.)	Model Number for WX-16 Links	Hex Size (in.)	Model Number for WX-32 Links	Hex Size (in.)	Model Number for WX-32 Links	Hex Size (in.)
WXL2-12	3/4	WXL4-16	1	WXL4-43	2 11/16	WXL8-30	1 7/8	WXL8-57	3 9/16	WXL16-42	2 5/8	WXL32-50	3 1/8	WXL32-87	5 7/16
WXL2-13	13/16	WXL4-17	1 1/16	WXL4-44	2 3/4	WXL8-31	1 15/16	WXL8-58	3 5/8	WXL16-43	2 11/16	WXL32-51	3 3/16	WXL32-88	5 1/2
WXL2-14	7/8	WXL4-18	1 1/8	WXL4-45	2 13/16	WXL8-32	2	WXL8-59	3 11/16	WXL16-44	2 3/4	WXL32-52	3 1/4	WXL32-89	5 9/16
WXL2-15	15/16	WXL4-19	1 3/16	WXL4-46	2 7/8	WXL8-33	2 1/16	WXL8-60	3 3/4	WXL16-45	2 13/16	WXL32-53	3 5/16	WXL32-90	5 5/8
WXL2-16	1	WXL4-20	1 1/4	WXL4-47	2 15/16	WXL8-34	2 1/8	WXL8-61	3 13/16	WXL16-46	2 7/8	WXL32-54	3 3/8	WXL32-91	5 11/16
WXL2-17	1 1/16	WXL4-21	1 5/16	WXL4-48	3	WXL8-35	2 3/16	WXL8-62	3 7/8	WXL16-47	2 15/16	WXL32-55	3 7/16	WXL32-92	5 3/4
WXL2-18	1 1/8	WXL4-22	1 3/8	WXL4-49	3 1/16	WXL8-36	2 1/4	WXL8-63	3 15/16	WXL16-48	3	WXL32-56	3 1/2	WXL32-93	5 13/16
WXL2-19	1 3/16	WXL4-23	1 7/16	WXL4-50	3 1/8	WXL8-37	2 5/16	WXL8-64	4	WXL16-49	3 1/16	WXL32-57	3 9/16	WXL32-94	5 7/8
WXL2-20	1 1/4	WXL4-24	1 1/2			WXL8-38	2 3/8			WXL16-50	3 1/8	WXL32-58	3 5/8	WXL32-95	5 15/16
WXL2-21	1 5/16	WXL4-25	1 9/16			WXL8-39	2 7/16			WXL16-51	3 3/16	WXL32-59	3 11/16	WXL32-96	6
WXL2-22	1 3/8	WXL4-26	1 5/8			WXL8-40	2 1/2			WXL16-52	3 1/4	WXL32-60	3 3/4	WXL32-97	6 1/16
WXL2-23	1 7/16	WXL4-27	1 11/16			WXL8-41	2 9/16			WXL16-53	3 5/16	WXL32-61	3 13/16	WXL32-98	6 1/8
WXL2-24	1 1/2	WXL4-28	1 3/4			WXL8-42	2 5/8			WXL16-54	3 3/8	WXL32-62	3 7/8		
WXL2-25	1 9/16	WXL4-29	1 13/16			WXL8-43	2 11/16			WXL16-55	3 7/16	WXL32-63	3 15/16		
WXL2-26	1 5/8	WXL4-30	1 7/8			WXL8-44	2 3/4			WXL16-56	3 1/2	WXL32-64	4		
WXL2-27	1 11/16	WXL4-31	1 15/16			WXL8-45	2 13/16			WXL16-58	3 5/8	WXL32-65	4 1/16		
WXL2-28	1 3/4	WXL4-32	2			WXL8-46	2 7/8			WXL16-60	3 3/4	WXL32-66	4 1/8		
WXL2-29	1 13/16	WXL4-33	2 1/16			WXL8-47	2 15/16			WXL16-62	3 7/8	WXL32-68	4 1/4		
WXL2-30	1 7/8	WXL4-34	2 1/8			WXL8-48	3			WXL16-64	4	WXL32-70	4 3/8		
WXL2-31	1 15/16	WXL4-35	2 3/16			WXL8-49	3 1/16			WXL16-66	4 1/8	WXL32-72	4 1/2		
WXL2-32	2	WXL4-36	2 1/4			WXL8-50	3 1/8			WXL16-68	4 1/4	WXL32-74	4 5/8		
WXL2-33	2 1/16	WXL4-37	2 5/16			WXL8-51	3 3/16			WXL16-70	4 3/8	WXL32-76	4 3/4		
WXL2-34	2 1/8	WXL4-38	2 3/8			WXL8-52	3 1/4			WXL16-72	4 1/2	WXL32-78	4 7/8		
WXL2-35	2 3/16	WXL4-39	2 7/16			WXL8-53	3 5/16			WXL16-74	4 5/8	WXL32-80	5		
WXL2-36	2 1/4	WXL4-40	2 1/2			WXL8-54	3 3/8					WXL32-82	5 1/8		
WXL2-37	2 5/16	WXL4-41	2 9/16			WXL8-55	3 7/16					WXL32-84	5 1/4		
WXL2-38	2 3/8	WXL4-42	2 5/8			WXL8-56	3 1/2					WXL32-86	5 3/8		

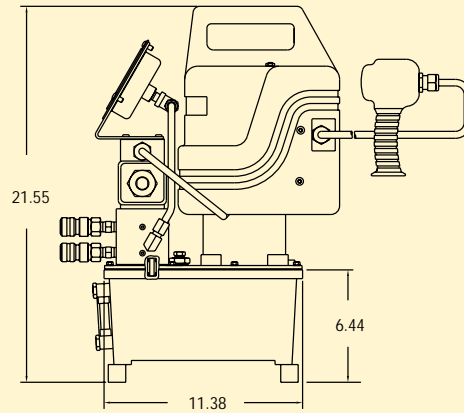


# TORQUE WRENCH POWER PUMPS

- The PET20 Series is a light weight, two speed, easy to carry workhorse, ideal for smaller wrenches.
- The PET70 Series is a fast, two speed design with higher crossover, ideal for larger wrenches.
- Available in 2 port or 4 port configurations for 2 or 4 tool simultaneous operation.
- Auto dump relieves all pressure from hoses automatically for added safety.
- Rated for continuous duty.
- PET2041 & PET7042 incorporate a psi/bar top mounted gauge at a 30° angle for accurate control.
- PET2841 & PET7842 incorporate a psi/bar flush mounted gauge for accurate control.
- Ideal for use with long extension cords.
- Quick-connect, No-Drip couplers with Safety Locking Collar.
- PET2041 & PET7042 incorporate an auto shut-off switch to prevent inadvertent overheating.
- Powerful permanent magnet motor starts at full load and runs on as little as 60 VAC.



## PET2041 - .5 HP ELECTRIC POWER UNIT

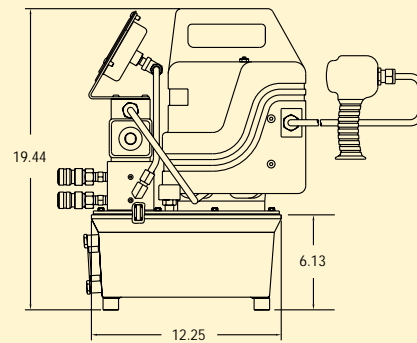


Model Number	Resrv. Size (Gal.)	Valve		Manifold	Motor Specifications (Permanent Magnet)	Flow Rate @ 115 VAC		Weight (lbs.)	Type of Wrench
		Control	Type			600	10,000		
PET2041	1	Solenoid	4 Way/3 Pos.	4 Port	0.5 HP Single Phase	400	20	49	Double Acting
PET2841				2 Port					

Retract pressure is preset at 1,300 PSI.



## PET7042 - 1.5 HP ELECTRIC POWER UNIT



Model Number	Resrv. Size (Gal.)	Valve		Manifold	Motor Specifications (Permanent Magnet)	Flow Rate @ 115 VAC		Weight (lbs.)	Type of Wrench
		Control	Type			600	10,000		
PET7042	2	Solenoid	4 Way/3 Pos.	4 Port	1.5 HP Single Phase	400	50	56	Double Acting
PET7842				2 Port					

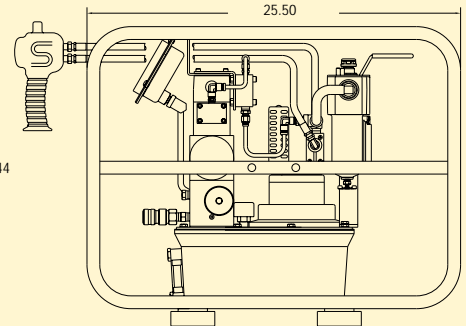
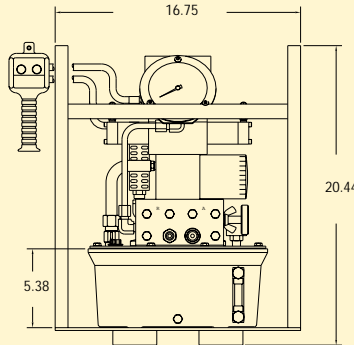
Retract pressure is preset at 1,300 PSI.



# TORQUE WRENCH POWER PUMPS



**PAT4542 - 1.5 HP AIR POWER UNIT**



- Air powered for use in hazardous environments.
- The 4 port configuration allows operation of up to 4 tools simultaneously.
- Rated for continuous duty.
- Auto dump relieves all pressure from hoses for added safety.
- Fast two speed design with higher crossover.
- Includes psi/bar pressure gauge which is top mounted at a 30° angle for accurate control.
- Quick-connect, No-Drip couplers with Safety Locking Collar.
- External filter & roll bars standard.

Model Number	Resvr. Size (Gal.)	Valve		Manifold	Motor Specifications	Flow Rate @ 50 cfm/90psi		Weight (lbs.)	Type of Wrench
		Control	Type			600	10,000		
PAT4542	2	Solenoid	4 Way/3 Pos.	4 Port	1.5 HP Rotary Air	400	50	50	Double Acting

Retract pressure is preset at 1,300 PSI.

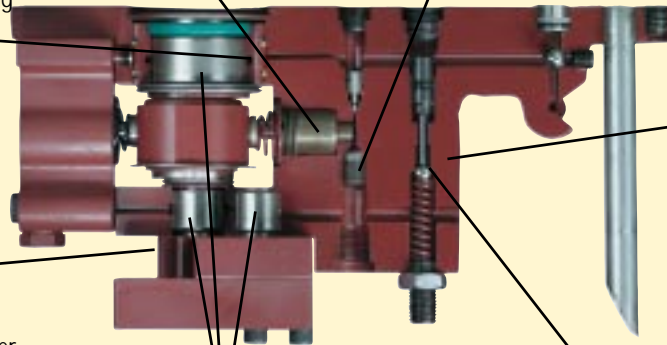
## CLYDESDALE TECHNOLOGY IS THE HEART OF ALL SIMPLEX PUMPS!

Only Simplex Clydesdale pumps incorporate an oiler system that sprays the upper unit with oil and keeps critical components lubricated and running cool, especially when most of the reservoir oil is being used at the tool.

Sleeved piston bores allow easy replacement of precision components without replacing the entire pump body.

High pressure ball seats are designed as replaceable cartridges rather than machined into the body. Worn or damaged seats can be easily replaced without replacing the body.

High efficiency gear pump provides more first stage flow and higher crossover pressures. Field proven gear pumps run cooler and last longer and are proven to provide years of trouble free service.



Four full size, full complement bearings add life & efficiency while contributing to cool & quiet running.

Solid, one piece pump body with internal flow paths eliminates potential leak points caused by threaded fittings, high pressure tubing and bolt together pump bodies.

Unloading valve passes full power to the second stage at crossover. No power is lost holding relief valves open & less heat is generated.

## TORQUE WRENCH HOSES

Model Number	Length (ft.)	Hose Type
WH-20	20	20' Blue & Yellow Duplex Hose w/ Quick Disconnect Couplers
WH-40	40	40' Blue & Yellow Duplex Hose w/ Quick Disconnect Couplers



## TORQUE WRENCH GAUGES

Model Number	Dia (in.)	Increments (psi/bar)	Type of Gauge
G5	2 1/2	500/50	0 to 10,000 PSI / 0 to 700 BAR Liquid Filled Gauge
G6	4		
*G7	4		



G5  
2 1/2"  
Gauge



G6  
4" Gauge



G7  
4" Gauge

\*Standard on all Simplex Torque Wrench Pumps.

## TORQUE WRENCH COUPLERS

Model Number	NPTF (in.)	Coupler Type
CT210	1/4	10,000 PSI/700 BAR Male Coupler
CT211		10,000 PSI/700 BAR Female Coupler
CT212		10,000 PSI/700 BAR Coupler Complete



CT210  
Male  
Coupler



CT211  
Female  
Coupler



CT212  
Coupler  
Complete

Simplex offers a complete line of hydraulic rams, hand pumps, power pumps, presses and other high force hydraulic tools.



MADE IN THE USA



### UNITED STATES HOME OFFICE

2525 Gardner Road  
Broadview, IL 60155-3719  
Phone: (708) 865-1500  
Fax: (708) 865-0894  
Toll Free: (800) 323-9114

### CANADA WAREHOUSE

637 McCaffrey  
St. Laurent, PQ H4T1N3  
Phone: (514) 731-4893  
Fax: (514) 731-7457  
Toll Free: (800) 840-1196

### EUROPEAN WAREHOUSE

Economiestraat 39, Unit 9  
Hoensbroek 6433 • Netherlands  
Phone: +(31) 45-523-4545  
Fax: +(31) 45-523-4556

### AUSTRALIA

Phone: 612-7484433  
Fax: 612-7483873

### MEXICO

Phone: 522-1 63-0630  
Fax: 522-1 63-0636

### SOUTH AFRICA

Phone: 27-11-908-1721  
Fax: 27-11-908-5608

### TAIWAN

Phone: 886-2-2996477  
Fax: 886-2-2996488

### MIDDLE EAST

Phone: 32-10-223322  
Fax: 32-10-229444

Distributed By:



HYDRAULIC & MECHANICAL POWER

Phone: (800) 323-9114 or Fax: (708) 865-0894

www.tksimplex.com