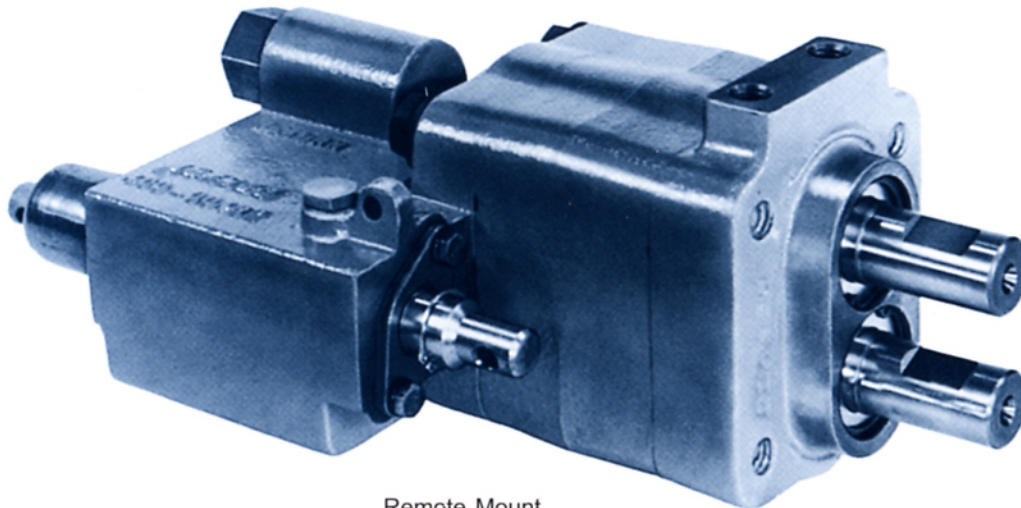

DM400 Dump Pumps



Pump/Valve Assembly for Light and Medium Duty Dump Trucks

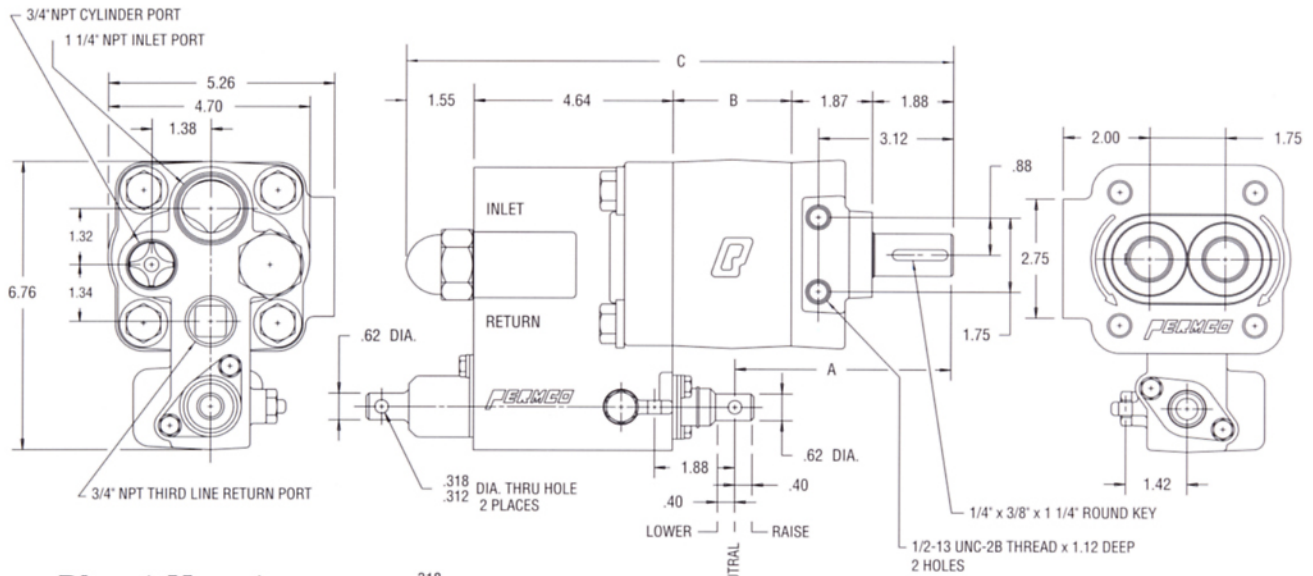


Remote Mount

The DM400 Dump Pump is built upon the proven P3000 series gear pump. Its rugged three piece cast iron, needle roller bearing design provides long lasting service even in the roughest of dump applications. It's available in direct mount or remote mount configurations. The direct acting, adjustable relief valve provides protection to both the pump and the cylinder while the unit is in operation. With the valve spool in the neutral position and the dump body raised, the relief valve also provides protection for the cylinder in the event sudden shock loads are incurred.

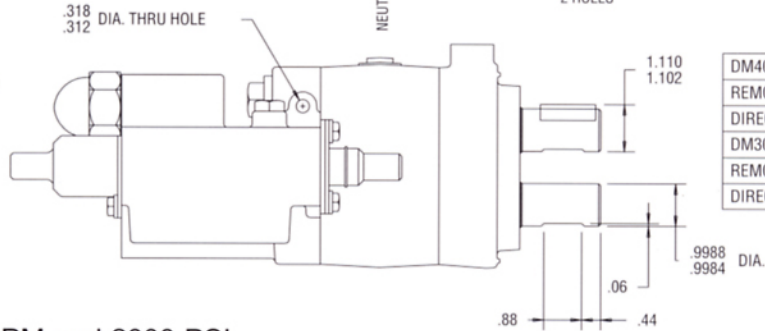
- Two mounting configurations available:
Direct mount SAE "B" 4 bolt or
Twin shafted remote mount
- Flows to 38 GPM
- Pressures to 2500 PSI
- 100% factory tested
- 1 1/4" NPT inlet port, 3/4" NPT pressure port, and 3/4" NPT return port for three line applications
- Neutral lockout device preventing accidental lowering of the dump body
- Available shafts and shaft end covers:
Remote mount: SAE "BB" 1" diameter keyed shaft with remote mount cover
Direct mount: SAE "B" 4 bolt direct mount shaft end cover with SAE "B" 7/8" splined shaft standard. Other options available upon request.
- Lubricated detent mechanism incorporated within the valve body assuring smooth and reliable shifting of the spool
- Low weight: 36 lbs. for unit with remote mount configuration
- Spring loaded cylinder check to minimize the risk of operation of the cylinder in the event the PTO is engaged while the vehicle is in motion
- Pressure balanced wear plates maintain high pump efficiency throughout all operating ranges

DIMENSIONAL DATA (inches)



Direct Mount

SAE "B" 4 Bolt Mounting Flange
 SAE "B" 7/8" 13 Tooth Spline Flange
 2.95" From gear housing to mounting face
 Centerline of shaft as shown in remote mount drawing



DM400-20	A	B	C
REMOTE	5.05	2.75	12.69
DIRECT	5.85	2.75	13.53
DM300-15	A	B	C
REMOTE	4.55	2.25	12.19
DIRECT	5.35	2.25	13.03

Performance Data

DM*300 21.5 GPM @ 1800 RPM and 2000 PSI
 DM*400 29.4 GPM @ 1800 RPM and 2000 PSI

PUMP CODE

DM* - 400 - 20 - ** - 200 - AS

Dump Pump

D Direct Mount

R Remote Mount

Cubic inch Displacement

300 3.0 cu. in. / 1.5" gear

400 4.0 cu.in. / 2.0" gear (Std.)

15 1.5" Gear

20 2.0" Gear (Std.)

Z With 3 line sleeve

X Without sleeve

AS Air Shift

Delete Manual Shift

Relief Valve Setting

200 2000 PSI

Direct Mount / Rotation

L Left hand rotation

R Right hand rotation

Remote Mount / Valve Orientation

L Left side (Std.)

R Right side



P.O. Box 2068
 1500 Frost Rd.
 Streebboro, OH 44241

Phone: (330) 626-2801
 Fax: (330) 626-2805

Copyright 1997 Bulletin 97-100B