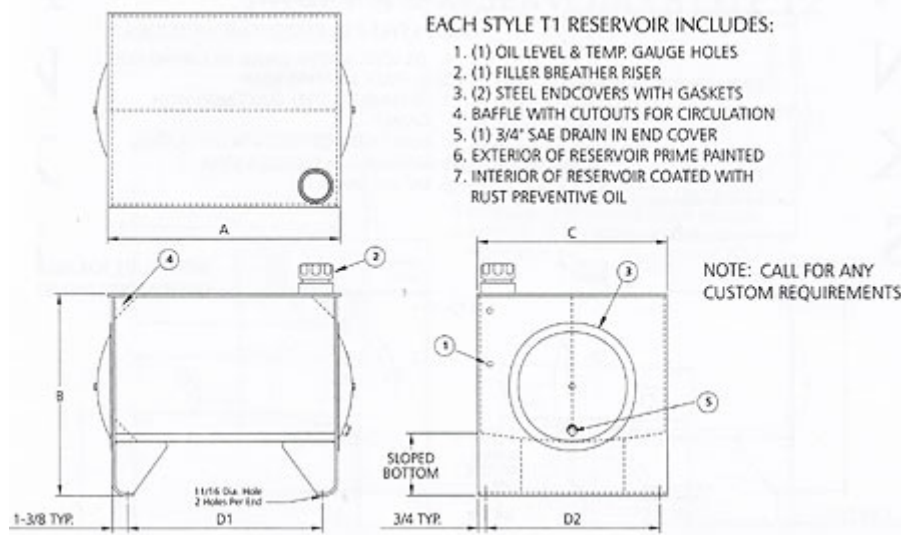




**DELTA, BC – KAMLOOPS, BC
(888)451-2221**

JIC TYPE RESERVOIRS STYLE T1

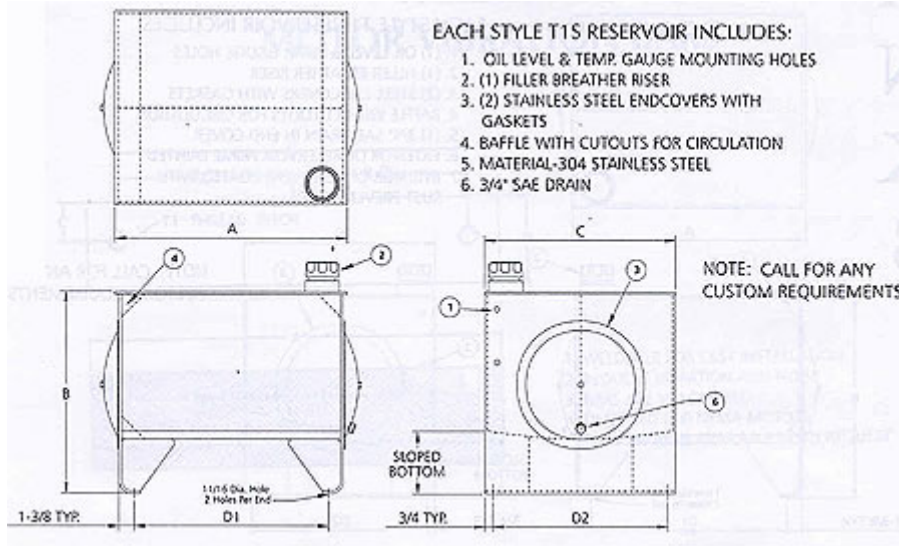


Capacity Gallons	IHI Part #	Tank Dimensions (Inches)						Material Thickness		Shipping Weight
		A Length	B Height	C Width	Mounting Centers		End Covers	End	Top	
					D11/8	D21/8				
10	T1-10	22"	19"	18"	18-1/4"	16-1/2"	12"	7 GA	7 GA	105#
15	T1-15	26"	19"	18"	22-1/4"	16-1/2"	12"	7 GA	7 GA	105#
* 20	T1-20	30"	19"	18"	26-1/4"	16-1/2"	12"	7 GA	7 GA	124#
* 30	T1-30	36"	19"	24"	32-1/4"	22-1/2"	12"	7 GA	7 GA	178#
* 40	T1-40	36"	21"	24"	32-1/4"	22-1/2"	12"	7 GA	7 GA	190#
50	T1-50	36"	23"	24"	32-1/4"	22-1/2"	16"	7 GA	7 GA	200#
* 60	T1-60	48"	20-11/16"	27"	44-1/4"	25-1/2"	16"	7 GA	3/8"	314#
* 80	T1-80	60"	21-1/2"	27"	56-1/4"	25-1/2"	16"	7 GA	3/8"	398#
* 100	T1-100	60"	23-1/2"	27"	56-1/4"	25-1/2"	16"	7 GA	3/8"	418#
120	T1-120	60"	27"	30"	56-1/4"	28-1/2"	16"	7 GA	3/8"	616#
150	T1-150	60"	31"	30"	56-1/4"	28-1/2"	16"	3/8"	3/8"	681#
200	T1-200	72"	29"	36"	68-1/4"	34-1/2"	16"	3/8"	3/8"	908#
300	T1-300	72"	38-1/2"	36"	68-1/4"	34-1/2"	18"	3/8"	3/8"	999#
400	T1-400	72"	38-1/2"	48"	68-1/4"	46-1/2"	18"	3/8"	1/2"	1578#
500	T1-500	72"	43"	48"	68-1/4"	46-1/2"	18"	3/8"	1/2"	1733#
600	T1-600	96"	43"	48"	92-1/4"	46-1/2"	18"	3/8"	1/2"	1838#



DELTA, BC – KAMLOOPS, BC
(888)451-2221

JIC TYPE RESERVOIRS STYLE T1S STAINLESS STEEL

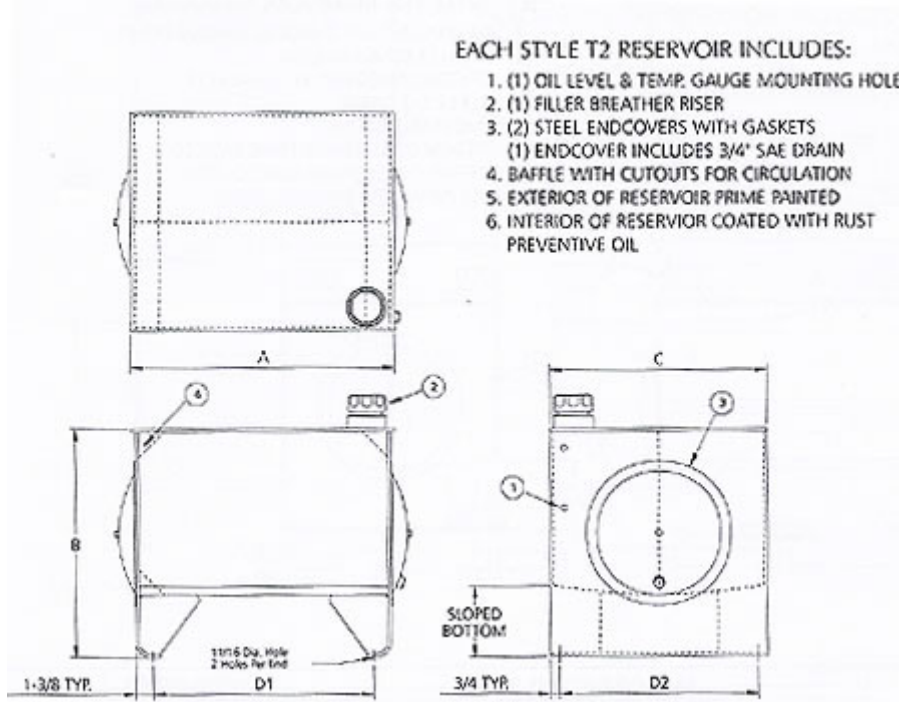


Capacity Gallons	IHI Part #	Tank Dimensions (Inches)					Material Thickness		Shipping Weight	
		A Length	B Height	C Width	Mounting Centers		End	Top		
					D11/8	D21/8				
10	T1S-10	22"	19"	18"	18-1/4"	16-1/2"	12"	7 GA	7 GA	105#
15	T1S-15	26"	19"	18"	22-1/4"	16-1/2"	12"	7 GA	7 GA	105#
20	T1S-20	30"	19"	18"	26-1/4"	16-1/2"	12"	7 GA	7 GA	124#
30	T1S-30	36"	19"	24"	32-1/4"	22-1/2"	12"	7 GA	7 GA	178#
40	T1S-40	36"	21"	24"	32-1/4"	22-1/2"	12"	7 GA	7 GA	190#
50	T1S-50	36"	23"	24"	32-1/4"	22-1/2"	16"	7 GA	7 GA	200#
60	T1S-60	48"	27"	27"	44-1/4"	25-1/2"	16"	7 GA	3/8"	314#
80	T1S-80	60"	21-1/2"	27"	56-1/4"	25-1/2"	16"	7 GA	3/8"	398#
100	T1S-100	60"	23-1/2"	27"	56-1/4"	25-1/2"	16"	7 GA	3/8"	418#
120	T1S-120	60"	27"	30"	56-1/4"	28-1/2"	16"	3/8"	3/8"	616#
150	T1S-150	60"	31"	30"	56-1/4"	28-1/2"	16"	3/8"	3/8"	681#
200	T1S-200	72"	29-3/8"	36"	68-1/4"	34-1/2"	16"	3/8"	3/8"	908#
300	T1S-300	72"	38-1/2"	36"	68-1/4"	34-1/2"	16"	3/8"	3/8"	999#
400	T1S-400	72"	38-1/2"	48"	68-1/4"	46-1/2"	16"	3/8"	3/8"	1460#
500	T1S-500	72"	43"	48"	68-1/4"	46-1/2"	16"	3/8"	3/8"	1618#
600	T1S-600	96"	43"	48"	92-1/4"	46-1/2"	16"	3/8"	3/8"	1685#



DELTA, BC – KAMLOOPS, BC
(888)451-2221

JIC TYPE RESERVOIRS STYLE T2



EACH STYLE T2 RESERVOIR INCLUDES:

1. (1) OIL LEVEL & TEMP. GAUGE MOUNTING HOLES
2. (1) FILLER BREATHER RISER
3. (2) STEEL ENDCOVERS WITH GASKETS
(1) ENDCOVER INCLUDES 3/4" SAE DRAIN
4. BAFFLE WITH CUTOUTS FOR CIRCULATION
5. EXTERIOR OF RESERVOIR PRIME PAINTED
6. INTERIOR OF RESERVOIR COATED WITH RUST PREVENTIVE OIL

Capacity Gallons	IHI Part#	Tank Dimensions (Inches)						Material Thickness		Shipping Weight
		A Length	B Height	C Height	Mounting Centers		End Covers	End	Top	
					D1 1/8	D2 1/8				
10	T2-10	24"	18"	16"	20-1/4"	14-1/2"	12"	11 GA	7 GA	80#
20	T2-20	32"	18"	21"	28-1/4"	19-1/2"	12"	11 GA	7 GA	94#
30	T2-30	36"	18"	24"	32-1/4"	22-1/2"	12"	7 GA	7 GA	160#
60	T2-60	38"	25"	25"	34-1/4"	23-1/2"	16"	7 GA	1/4"	242#
80	T2-80	47"	26-7/8"	30"	43-1/4"	28-1/2"	16"	7 GA	1/4"	365#
100	T2-100	47"	29"	30"	43-1/4"	28-1/2"	16"	7 GA	1/4"	375#
150	T2-150	60"	31"	30"	56-1/4"	28-1/2"	16"	7 GA	3/8"	523#
200	T2-200	72"	29"	36"	68-1/4"	34-1/2"	18"	1/4"	3/8"	769#
300	T2-300	82"	29"	48"	78-1/4"	46-1/2"	18"	1/4"	1/2"	1360#



DELTA, BC – KAMLOOPS, BC
(888)451-2221

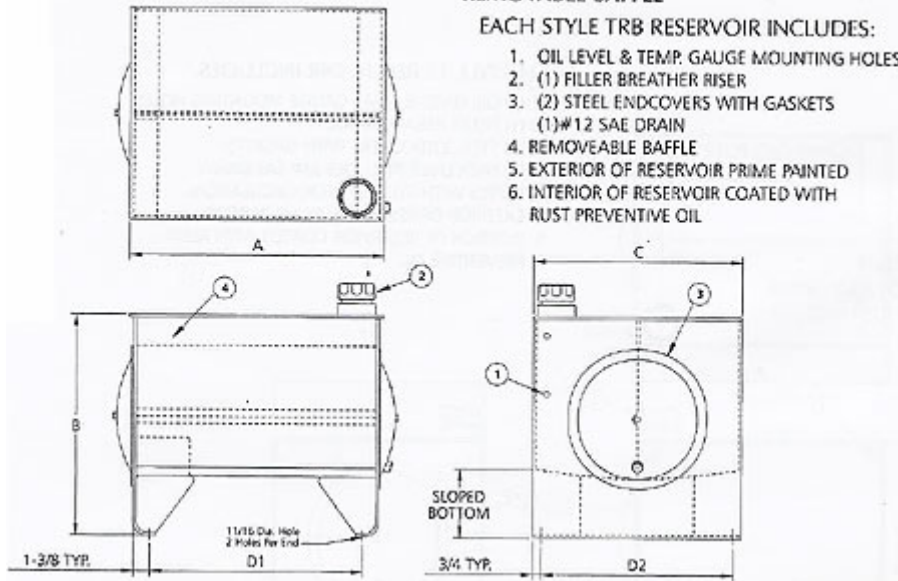
JIC TYPE RESERVOIRS STYLE TRB

J.I.C. TYPE RESERVOIRS STYLE TRB

REMOVABLE BAFFLE

EACH STYLE TRB RESERVOIR INCLUDES:

1. OIL LEVEL & TEMP. GAUGE MOUNTING HOLES
2. (1) FILLER BREATHER RISER
3. (2) STEEL ENDCOVERS WITH GASKETS
(1)#12 SAE DRAIN
4. REMOVEABLE BAFFLE
5. EXTERIOR OF RESERVOIR PRIME PAINTED
6. INTERIOR OF RESERVOIR COATED WITH RUST PREVENTIVE OIL

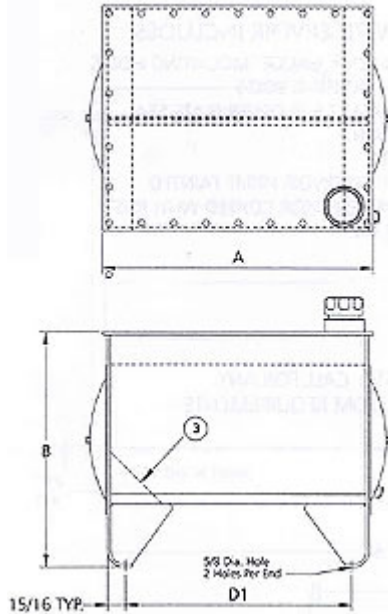


Capacity Gallons	IHI Part #	Tank Dimensions (Inches)						Material Thickness		Shipping Weight
		A Length	B Height	C Width	Mounting Centers		End Covers	End	Top	
					D11/8	D21/8				
10	TRB-10	24"	18"	16"	20-1/4"	14-1/2"	12"	11 GA	7 GA	80#
15	TRB-15	26"	19"	18"	22-1/4"	16-1/2"	12"	11 GA	7 GA	105#
20	TRB-20	32"	18"	21"	28-1/4"	19-1/2"	12"	11 GA	7 GA	124#
30	TRB-30	36"	19-3/8"	24"	32-1/4"	22-1/2"	12"	7 GA	7 GA	178#
40	TRB-40	36"	21"	24"	32-1/4"	22-1/2"	12"	7 GA	7 GA	190#
50	TRB-50	36"	23"	24"	32-1/4"	22-1/2"	12"	7 GA	7 GA	200#
60	TRB-60	36"	25"	26"	34-1/4"	23-1/2"	18"	7 GA	7 GA	242#
80	TRB-80	47"	26-7/8"	30"	43-1/4"	28-1/2"	18"	7 GA	1/4"	365#
100	TRB-100	47"	29"	30"	43-1/4"	28-1/2"	18"	1/4"	1/4"	375#
150	TRB-150	60"	31"	30"	56-1/4"	28-1/2"	18"	1/4"	1/4"	460#
200	TRB-200	72"	29"	36"	68-1/4"	34-1/2"	18"	1/4"	3/8"	769#



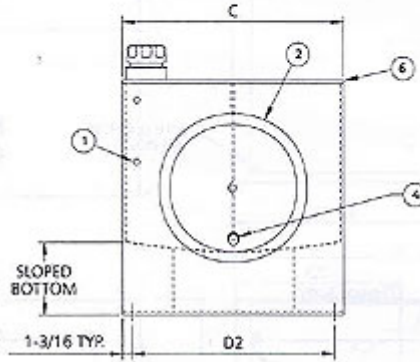
**DELTA, BC – KAMLOOPS, BC
(888)451-2221**

JIC TYPE RESERVOIRS STYLE TRL REMOVABLE LID



EACH STYLE TRL RESERVOIR INCLUDES:

1. OIL LEVEL & TEMP. GAUGE MOUNTING HOLES
2. ENDCOVER(S) WITH GASKET(S)
3. BAFFLE WITH CUTOUT FOR CIRCULATION
4. (1) 3/4" SAE DRAIN
5. CHANNEL GASKET FOR REMOVABLE TOP
6. EXTERIOR OF RESERVOIR PRIME PAINTED
7. INTERIOR OF RESERVOIR COATED WITH RUST PREVENTIVE OIL



Capacity Gallons	Tank Dimensions (Inches)					Mounting Centers		Shipping Weight
	IHI Part #	A Length	B Height	C Weight	D1 1/2	D2 1/8		
10	TRL-10	18-1/4"	18"	17-7/8"	16-3/8"	15-1/2"	90#	
20	TRL-20	29-3/8"	18"	17-7/8"	27-1/2"	15-1/2"	120#	
35	TRL-35	35-3/8"	18-1/4"	23-7/8"	33-1/2"	21-1/2"	160#	
50	TRL-50	35-3/8"	23"	23-7/8"	33-1/2"	21-1/2"	197#	
70	TRL-70	47-3/8"	21"	26-7/8"	45-1/2"	24-1/2"	235#	
90	TRL-90	59-3/8"	21-1/2"	26-7/8"	57-1/2"	24-1/2"	281#	
130	TRL-130	59-3/8"	26"	29-7/8"	57-1/2"	27-1/2"	345#	
160	TRL-160	59-3/8"	31"	29-7/8"	57-1/2"	27-1/2"	398#	

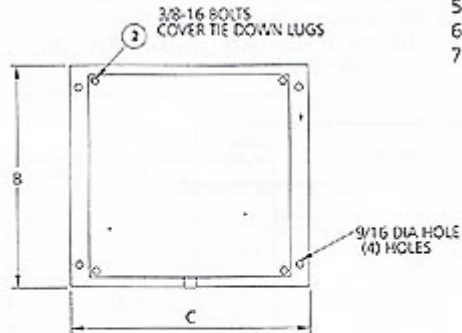


DELTA, BC – KAMLOOPS, BC
(888)451-2221

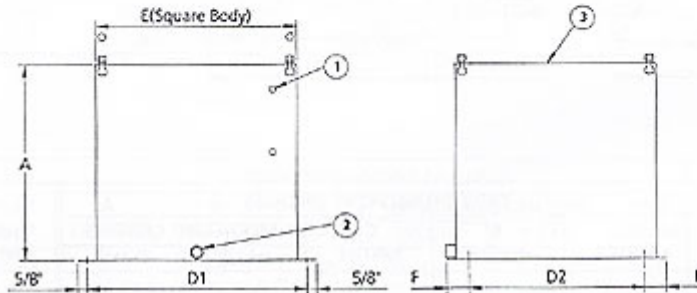
VERTICAL NON JIC TYPE RESERVOIRS

EACH STYLE TV RESERVOIR INCLUDES:

1. OIL LEVEL & TEMP. GAUGE MOUNTING HOLES
2. (4) COVER MOUNTING BOLTS
3. CHANNEL GASKET FOR COVER PLATE SEAL.
4. 3/4" SAE DRAIN.
5. COVER PLATE
6. OUTSIDE OF RESERVOIR PRIME PAINTED
7. INTERIOR OF RESERVOIR COATED WITH RUST PREVENTIVE OIL



**NOTE: CALL FOR ANY
CUSTOM REQUIREMENTS**



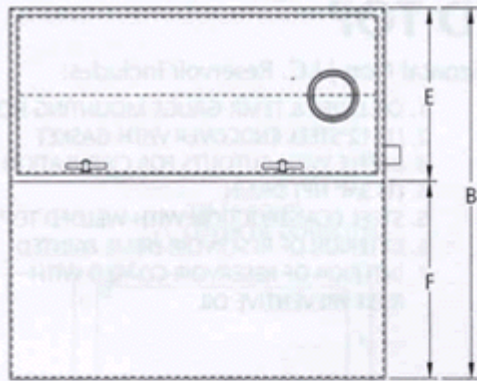
Capacity Gallons	IHI Part#	Tank Dimensions (Inches)							Shipping Weight
		A	B	C	Mounting Centers		E	F	
					D11/8	D21/8			
5	TV-172	10	12-1/2"	14-1/2"	13-1/2"	10"	12"	"	55#
*10	TV-173	15-1/2"	17-1/2"	20"	18-3/4"	15"	17"	1-1/4"	65#
*20	TV-174	18-1/2"	18"	20-1/2"	19-1/4"	15"	17-1/2"	1-1/2"	80#
30	TV-175	26-1/2"	18"	20-1/2"	19-1/4"	15"	17-1/2"	1-1/2"	100#
40	TV-176	34-1/2"	18"	20-1/2"	19-1/4"	15"	17-1/2"	1-1/2"	120#

NOTE: COVER PLATES WITH FILLER BREATHER CUTOUT AND ADAPTER CUTOUT AVAILABLE UPON REQUEST.



DELTA, BC – KAMLOOPS, BC
(888)451-2221

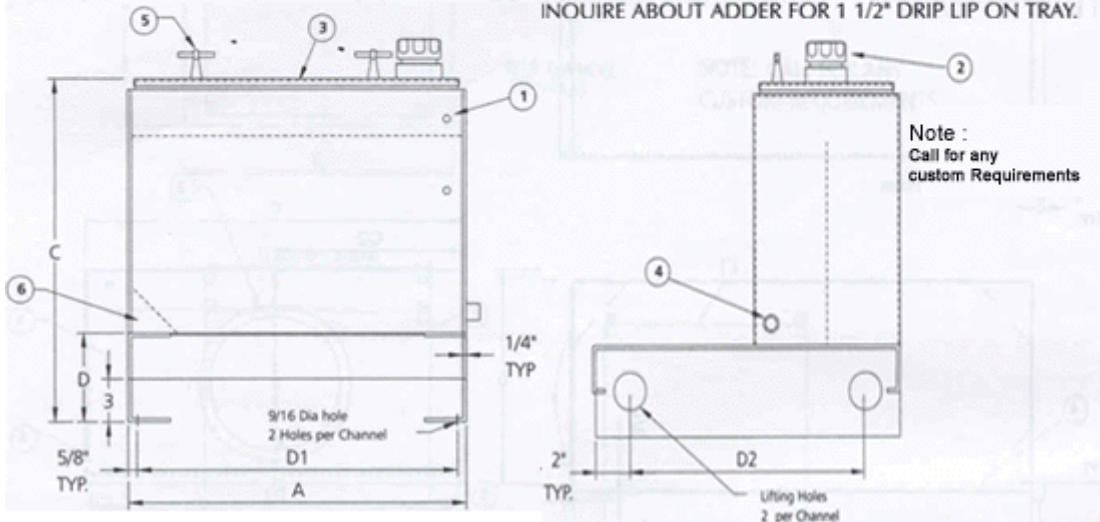
"L" SHAPE RESERVOIRS STYLE TL



EACH "TL" STYLE RESERVOIR INCLUDES:

1. OIL LEVEL & TEMP. GAUGE MOUNTING HOLES
2. (1) FILLER BREATHER RISER
3. (1) HINGED COVER WITH GASKETS
4. (1) 3/4" SAE DRAIN
5. (2) T-HANDLES
6. BAFFLE WITH CUTOUT FOR CIRCULATION
7. EXTERIOR OF RESERVOIR PRIME PAINTED
8. INTERIOR OF RESERVOIR COATED WITH RUST PREVENTIVE OIL.
9. 100 GALLON TO 600 GALLON INCLUDE (1) DOOR PROP (NOT SHOWN)

NOTE: FOR OPTIONAL LIFT LUG ADD-L TO PART NUMBER
INOUIRE ABOUT ADDER FOR 1 1/2" DRIP LIP ON TRAY.



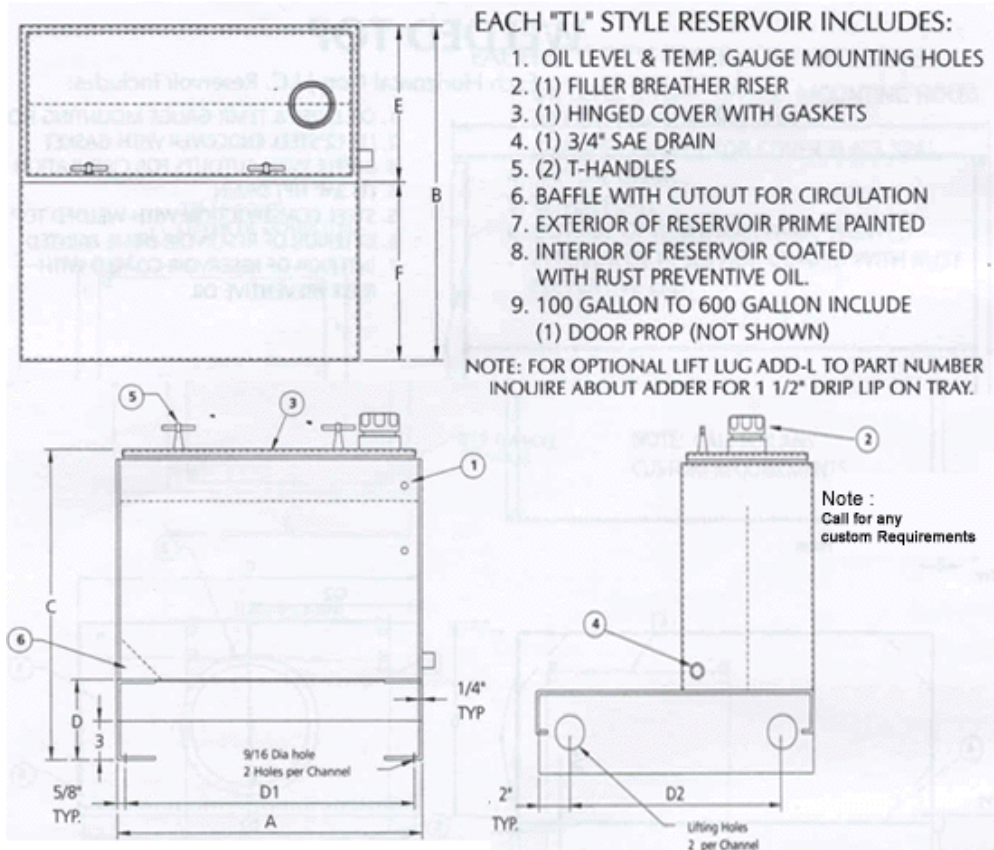
Note :
Call for any
custom Requirements

Capacity Gallons	IHI Part#	Tank Dimensions (Inches)						MOUNTING CENTERS		Shipping Weight
		A	B	C	D	E	F	D 11/8	D 21/8	
10	TL-10	24"	23-7/16"	23-7/8"	6-1/4"	11-1/8"	12-1/2"	22-1/4"	20-3/8"	135#
20	TL-20	30"	27-7/16"	25-7/8"	6-1/4"	13-1/2"	13-7/8"	28-1/4"	24-3/8"	183#
*30	TL-30	36"	30-7/16"	29-7/8"	6-1/4"	13-3/4"	16-5/8"	34-1/2"	27-3/8"	240#
*45	TL-45	54"	31-7/16"	30-7/8"	6-1/4"	13-3/4"	17-5/8"	52-1/4"	28-3/8"	335#
*60	TL-60	48"	37-7/16"	35-7/8"	6-1/4"	16-3/4"	20-5/8"	46-1/4"	34-3/8"	376#



**DELTA, BC – KAMLOOPS, BC
(888)451-2221**

"L" SHAPE RESERVOIRS STYLE TL



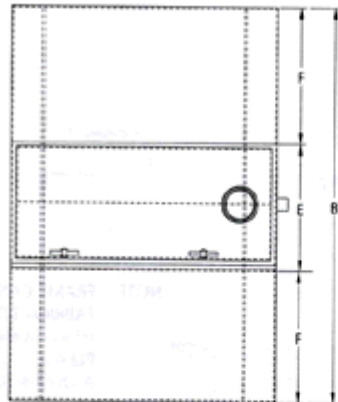
Capacity Gallons	IHI Part#	Tank Dimensions (Inches)						MOUNTING CENTERS		Shipping Weight
		A	B	C	D	E	F	D 11/8	D 21/8	
80	TL-80	66"	38-3/8"	36"	6-1/4"	16-3/4"	21-13/16"	64-1/4"	35-3/8"	699#
*100	TL-100	60"	42-3/8"	39"	6-1/4"	19-3/8"	22-13/16"	58-1/4"	39-3/8"	695#
120	TL-120	72"	42-3/8"	38"	6-1/4"	19-3/8"	22-13/16"	70-1/4"	39-3/8"	836#
150	TL-150	72"	50-3/8"	39"	6-1/4"	25-3/8"	24-13/16"	70-1/4"	47-3/8"	939#
200	TL-200	84"	51-3/8"	42"	6-1/4"	25-3/8"	25-13/16"	82-1/4"	48-3/8"	1128#
300	TL-300	84"	60"	54-1/4"	6-1/4"	25-3/8"	37-7/16"	82-1/4"	58"	1400#
400	TL-400	84"	60"	54-1/4"	6-1/4"	28-3/8"	31-7/16"	82-1/4"	58"	1610#
500	TL-500	84"	60"	60-3/16"	6-1/4"	32-3/8"	27-7/6"	82-1/4"	58"	1782#
600	TL-600	90"	62"	66-3/16"	6-1/4"	30-3/8"	31-7/16"	88-1/4"	60"	1838#

Note : For stainless steel add "S" after the letter L.



DELTA, BC – KAMLOOPS, BC
(888)451-2221

"T" SHAPE RESERVOIRS

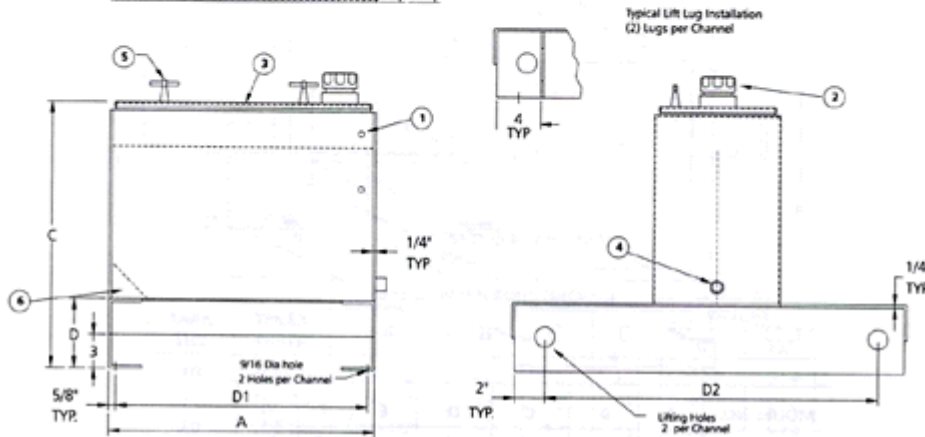


EACH "T" STYLE RESERVOIR INCLUDES:

1. (1) OIL LEVEL & TEMP. GAUGE MOUNTING HOLES
2. (1) FILLER BREATHER RISER
3. (1) HINGED COVER WITH GASKETS
4. (1) 3/4" SAE DRAIN
5. T-HANDLES
6. BAFFLE WITH CUTOUT FOR CIRCULATION
7. EXTERIOR OF RESERVOIR PRIME PAINTED
8. INTERIOR OF RESERVOIR COATED WITH RUST PREVENTIVE OIL.
9. 100 GALLON TO 400 GALLON INCLUDE (1) DOOR PROP (NOT SHOWN)

NOTE: FOR OPTIONAL LIFT LUG ADD-L TO PART NUMBER

- FOR OPTIONAL COUPLINGS & DOWN PIPES INQUIRE.
- INQUIRE FOR 1 1/2 DRIP LIP ON TRAYS CALL FOR CUSTOM REQUIREMENTS



Capacity Gallons	IHI Part#	Tank Dimensions (Inches)						MOUNTING CENTERS		Shipping Weight
		A	B	C	D	E	F	D 11/8	D 21/8	
10	TT-10	24"	35-1/4"	23-7/8"	6-1/4"	11-1/8"	12"	22-1/4"	30-1/8"	178#
20	TT-20	30"	40-5/8"	25-7/8"	6-1/4"	13-1/2"	13-1/2"	28-1/4"	36-1/4"	283#
30	TT-30	36"	46-5/8"	29-7/8"	6-1/4"	13-3/4"	16-1/2"	34-1/4"	42-1/4"	310#
45	TT-40	54"	48-5/8"	29-7/8"	6-1/4"	13-3/4"	17-1/2"	52-1/4"	44-1/4"	423#
60	TT-60	48"	58-5/8"	35-7/8"	6-1/4"	16-3/4"	21"	46-1/4"	54-1/4"	490#
80	TT-80	66"	60-3/4"	36-1/16"	6-1/4"	16-3/8"	22-3/16"	64-1/4"	56-3/4"	905#
100	TT-100	60"	66-3/4"	39-1/16"	6-1/4"	19-3/8"	22-3/16"	58-1/4"	61-3/4"	890#
120	TT-120	72"	67-3/4"	39-1/16"	6-1/4"	19-3/8"	24-3/16"	70-1/4"	63-3/4"	1130#
150	TT-150	72"	75-3/4"	39-1/16"	6-1/4"	25-3/8"	25-3/16"	70-1/4"	71-3/4"	1235#
200	TT-200	84"	77-3/4"	42-1/16"	6-1/4"	25-3/8"	26-3/16"	82-1/4"	73-3/4"	1468#
300	TT-300	84"	77-3/4"	54-3/16"	6-1/4"	25-3/8"	26-3/16"	82-1/4"	73-3/4"	1843#
400	TT-400	84"	91"	54-3/16"	6-1/4"	28-3/8"	31-3/8"	82-1/4"	87"	2121#

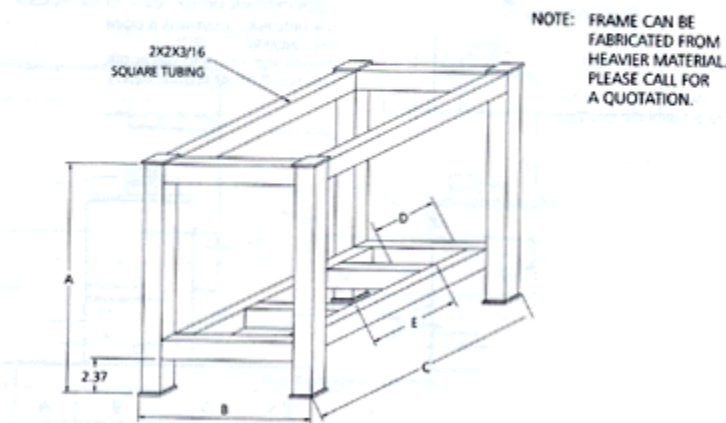
Note : For stainless steel add "S" after the letter L.



DELTA, BC – KAMLOOPS, BC
(888)451-2221

ELEVATED RESERVOIRS STANDS

1. HYDRAULIC RESERVOIR STANDS FOR MOUNTING STANDARD J.I.C. TYPE RESERVOIRS OVER THE PUMP AND MOTOR.
2. PROVIDES A POSITIVE FEED TO THE PUMP.
3. MAY BE STACKED FOR GREATER FLOOR SPACE SAVINGS. STANDARD UNITS AVAILABLE FOR T1 SERIES TANKS FROM 10 TO 200 GALLON CAPACITY, INDUSTRY PROVEN DESIGN.
4. EASY RESERVOIR MOUNTING.
5. MOTOR/PUMP MOUNTING PLATE SUPPORTS LOCATED PER YOUR REQUIREMENTS.
6. OPTIONAL DRIP PANS AVAILABLE.
7. CUSTOM FRAMEWORKS AVAILABLE.



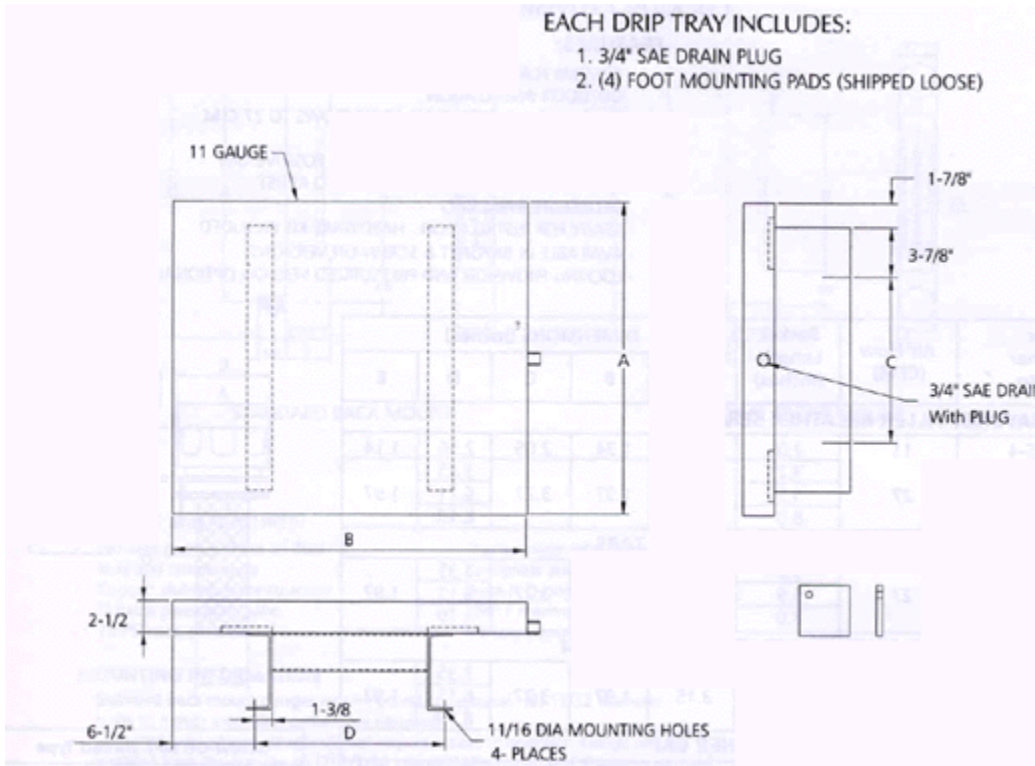
MODEL NO.	A	B	C	D	E	F	G
TWCS-10	24	18	22	*	*	12	16
TWCS-15	24	18	26	*	*	12	20
TWCS-20	24	18	30	*	*	12	24
TWCS-30	24	24	36	*	*	18	30
TWCS-40	24	24	36	*	*	18	30
TWCS-50	24	24	36	*	*	18	30
TWCS-60	32	27	48	*	*	21	42
TWCS-80	32	27	60	*	*	21	54
TWCS-100	32	27	60	*	*	21	54
TWCS-120	32	30	60	*	*	24	54
TWCS-150	32	30	60	*	*	24	54
TWCS-200	32	36	72	*	*	30	66

Note : For stainless steel add "S" after the letter L.



DELTA, BC – KAMLOOPS, BC
(888)451-2221

DRIP TRAYS



TANK SIZE	IHI Part#	STAND Dimensions (Inches)				Shipping Weight	
		A	B	C	D	6"	12"
10	TDP-10	24-1/2"	28"	13"	15"	72#	91#
15	TDP-15	24-1/2"	32"	13"	19"	72#	91#
20	TDP-20	24-1/2"	36"	13"	23"	80#	99#
30	TDP-30	30-1/2"	42"	19"	29"	104#	127#
40	TDP-40	30-1/2"	42"	19"	29"	104#	127#
50	TDP-50	30-1/2"	42"	19"	29"	104#	127#
60	TDP-60	33-1/2"	54"	22"	41"	130#	155#
80	TDP-80	33-1/2"	66"	22"	53"	144#	180#
100	TDP-100	33-1/2"	66"	22"	53"	148#	184#
120	TDP-150	36-1/2"	66"	25"	53"	161#	190#
150	TDP-200	36-1/2"	66"	25"	53"	160#	189#
200	TDP-300	42-1/2"	78"	31"	65"	205#	238#

Part numbers are for 6" high containment stands.
For 12" High containment stands add -12 after part number.
eg. TDP-10-12

